

ROLLCONTAINERS

ROLL KONTEJNERJI



CONTAINER 855X655 H1400



The container can be used, among others for packaging orders.

Technical data: The stability of the structure is ensured by closed profiles, mesh made of steel bars bottom with wheels (two fixed wheels, two swivel wheels with brakes), hanged shelves, reinforced with flat bars. It is possible to adjust the height of the shelves.

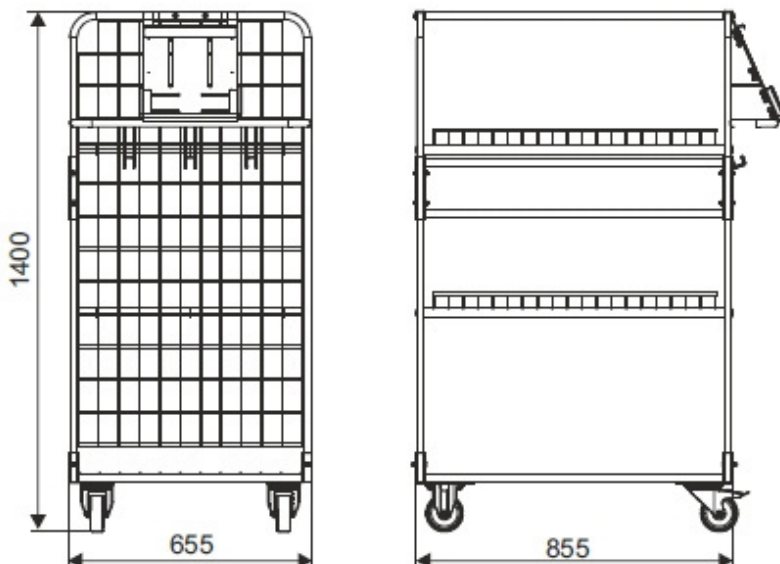
The container has a handle on the side for easy handling, hooks for bags and as an optional equipment a tablet pad.

Standard finish: zinc plated + lacquer.

Wheels diameter: 100 mm

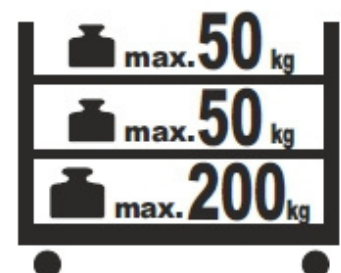
Loading of shelf: 50 kg

Total loading: 300 kg



total max.

300 kg

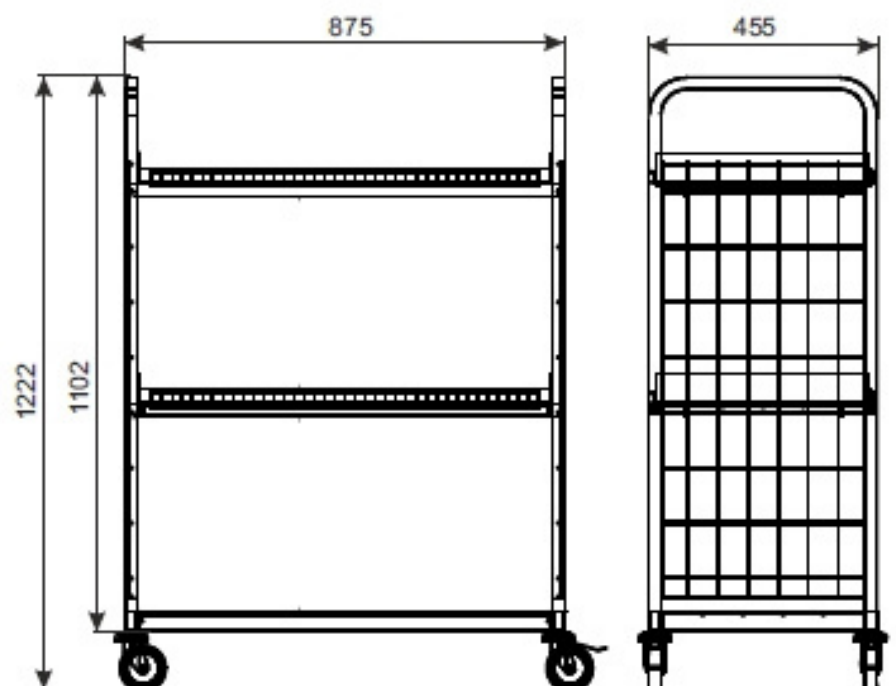


LOW CONTAINER 880X460 H-1240



Container allows for presentation of commodities. The construction of the container is folded and bolted. The supporting construction is made of a section bar, shelves made of wire. The possibility of height adjustment of the shelves position within the container. Shelf adjustment step 110 mm. Shelves lined with Plexiglas to protect it from falling out of small products. Additionally, plexiglass shelves are lined with non-slip grooved rubber. Swivel castors, including 2 pcs. with brake. Optional accessories: basket for code reader.

Finish: zinc plated + lacquer.
Wheel diameter: 100 mm
Total loading: 200 kg
Loading of shelf: 50 kg

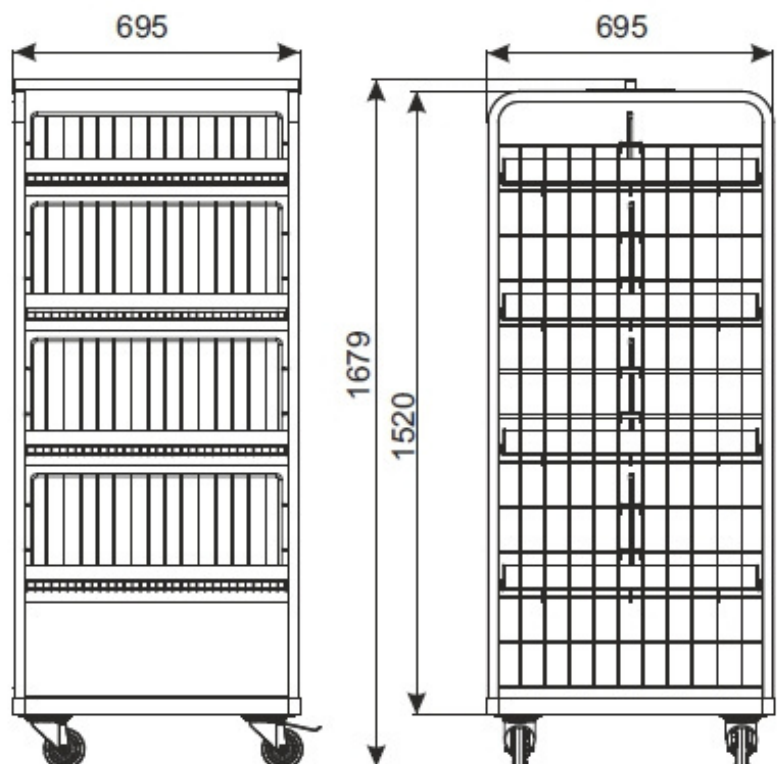


HIGH CONTAINER 700X700 H-1650



Container allows for presentation of commodities. The construction of the container is folded and bolted. The supporting construction is made of a section bar, shelves made of wire reinforced with flat bars. The possibility of height adjustment of the shelves position within the container. Shelves and base lined with Plexiglas to protect it from falling out of small products. Swivel castors, including 2 pcs. with brake. Optional accessories: basket for code reader and a holder for plastic bags.

Finish: zinc plated + lacquer
Wheel diameter: 100 mm
Total loading: 250 kg
Loading of shelf: 50 kg



CONTAINER 800X700X1500 WITH FRONT DOORS



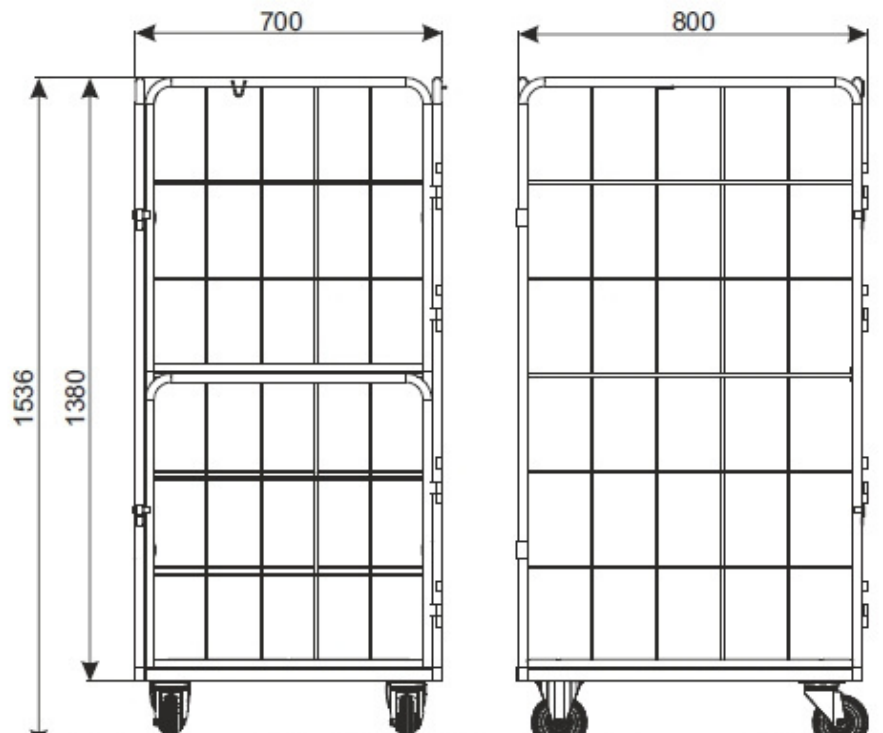
Roll Cages are movable containers for various purposes. Shops, shopping centers and warehouses are places where roll cages with success prove correct as the universal containers for selling, presentations and transporting of the goods. They can be useful for laundries as containers for transporting underwear, clothing, etc. Simple structure and functionality together with wide range of application decide about popularity of this item among our Customers.

Finish: zinc plated + lacquer

Technical data: structure of roll cage made of pipes and steel meshes, bottom made of steel wire, bottom with wheels.

Wheel: diameter 125 mm.

Total loading: 300 kg



UNIVERSAL CONTAINER WMU-1700X800X600



Standard finish: zinc plated + lacquer.

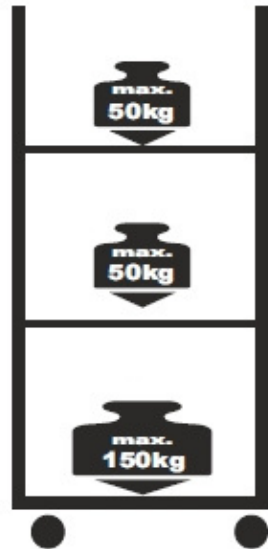
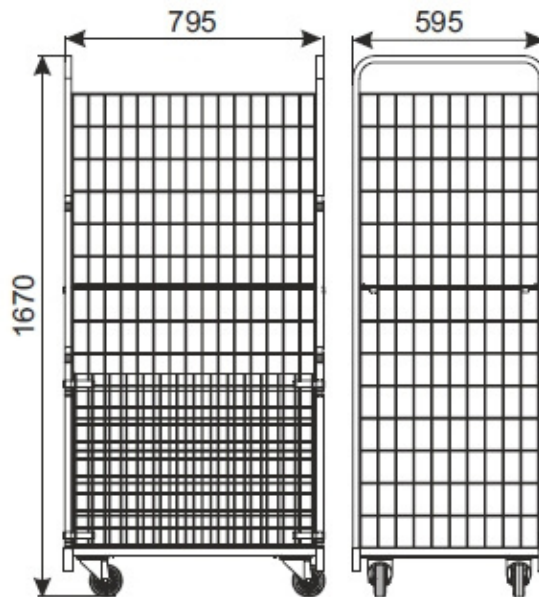
Technical data: closed profiles (rectangular) ensure stability of structure, side meshes are made of steel wires, bottom with wheels. Reinforced shelves, the ability to quickly move the shelves. The construction allows for using a shelf as front wall of the container. As a standard there are 2 shelves in the set.

Finish: zinc plated + lacquer

Wheel: diameter 100, poliamid

Loading of shelf: 50 kg

Total loading: 250 kg



POSSIBLE CONFIGURATIONS:

Version without shelves

Version with one shelf put on vertically

Version with two shelves put on vertically

Version with two shelves put on vertically and horizontally

Version with two shelves put on horizontally

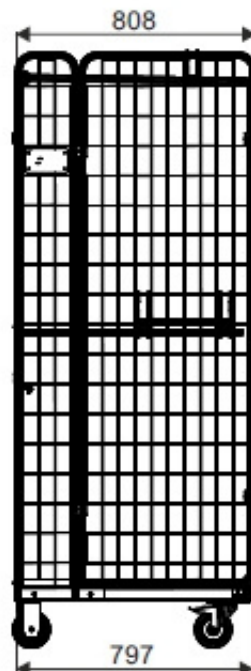
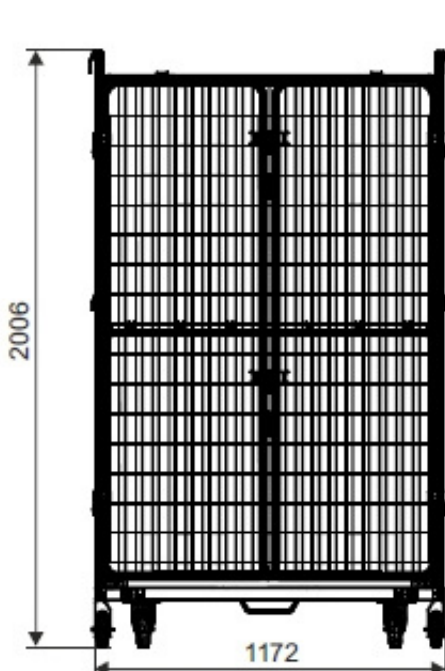


FOLDING CONTAINER FOR LOGISTIC KLS 1200X800X2000



Technical data: the stability of construction is provided by closed profiles, nets made of steel bars, bottom with wheels (2 fixed wheels, 2 swivel wheels with brakes), bottom shelf is reinforced with flat bars. The container has a double front hinged door which, when closed, forms the front wall of the container. The upper shelf is folded. The construction of container allows for its folding and nesting of folding containers.

Finish: zinc plated + lacquer
Wheel: diameter 125 mm
Nesting distance: 290 mm
Loading of shelf: 100 kg
Total loading: 500 kg

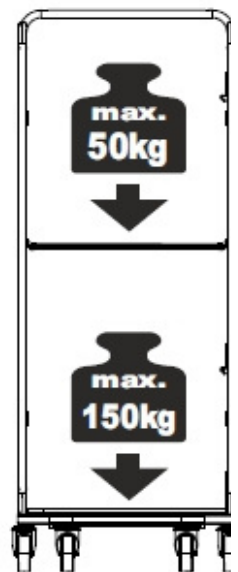
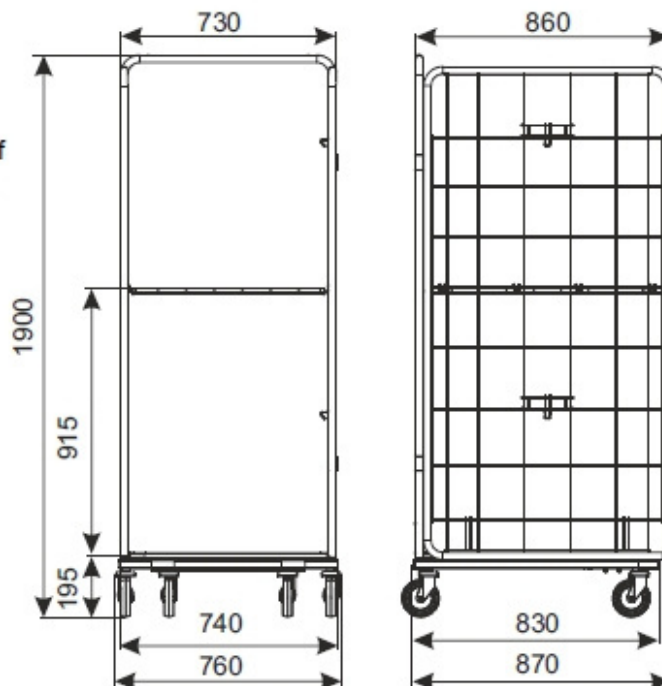
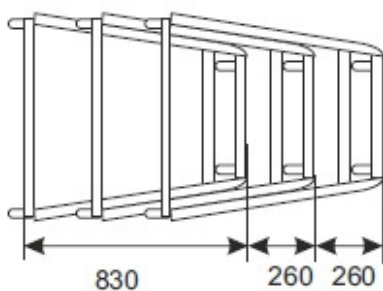


FOLDING CONTAINER WMS-1800X810X750



Roll Cages are movable containers for various purposes. Shops, shopping centers and warehouses are places where roll cages with success prove correct as the universal containers for selling, presentations and transporting of the goods. They can be useful as well as the garbage bin. Simple structure and functionality together with wide range of application decide about popularity of this item among our Customers.

Standard finish: zinc plated + lacquer.
Technical data: structure of roll cage made of pipes and steel meshes, bottom and shelves made of steel wire, bottom with wheels.
Wheel diameter: 125 mm.
Total loading: 200 kg.
Loading of shelf: 50 kg



FOLDING CONTAINER FOR LOGISTIC KLS-2 600X800X1800



Technical data: the stability of construction is provided by closed profiles, nets made of steel bars, bottom with wheels (2 fixed wheels, 2 swivel wheels with brakes), bottom shelf is reinforced with flat bars.

Container has two front, adjustable doors (upper and bottom) which can be closed independently of each other creating the front wall of the container. The upper shelf is folded. The construction of container allows for its folding and nesting of folding containers.

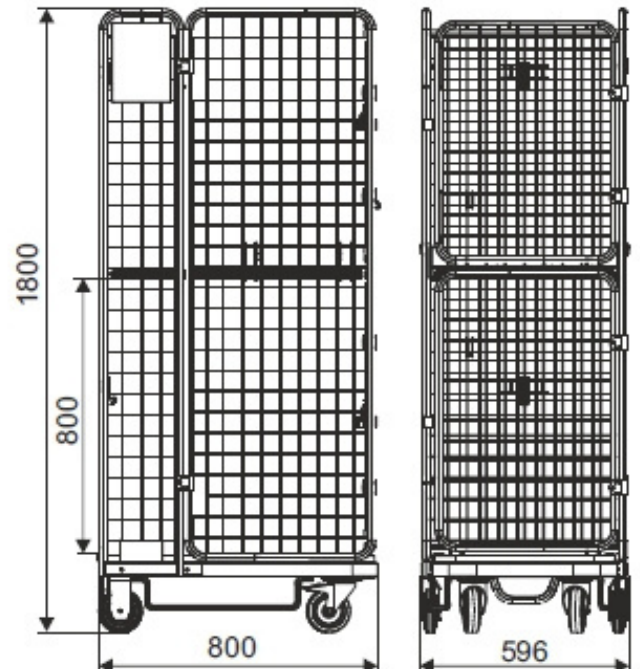
Finish: zinc plated + lacquer

Wheel: diameter 125 mm

Nesting distance: 320 mm

Loading of shelf: 150 kg

Total loading: 400 kg



POSSIBLE CONFIGURATIONS:

Container with open door

Container with 1 closed door

Container with 2 closed doors

Container with raised shelf

The possibility of nesting folding containers

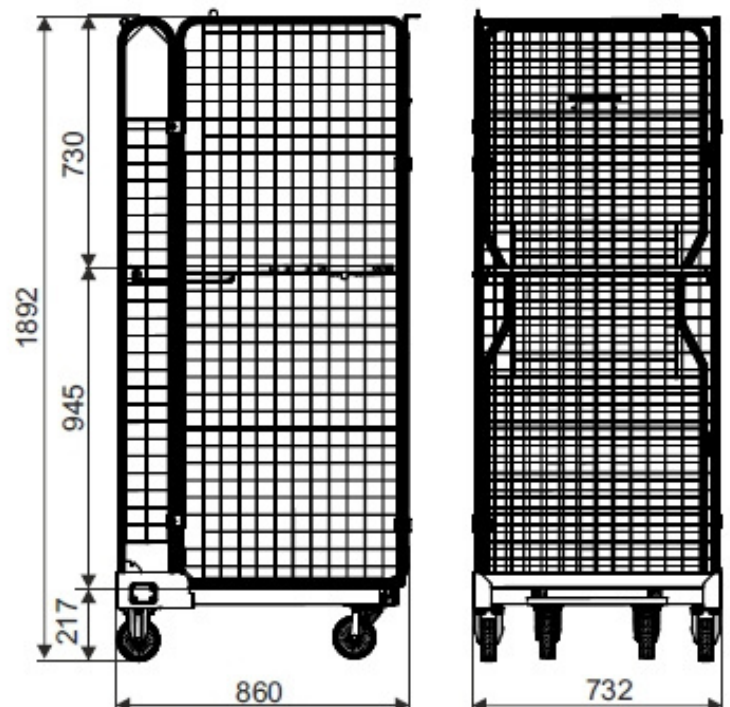


FOLDING CONTAINER FOR LOGISTIC KLS-3 700X800X1900



Technical data: the stability of construction is provided by closed profiles, nets made of steel bars, bottom with wheels (2 fixed wheels, 2 swivel wheels with brakes), bottom shelf is reinforced with flat bars. Container has front door which can be closed creating the front wall of the container. The upper shelf is folded. The construction of container allows for its folding and nesting of folding containers.

Finish: zinc plated + lacquer
Wheel: diameter 125 mm
Nesting distance: 230 mm
Loading of shelf: 75 kg
Total loading: 450 kg



CONTAINER FOR LOGISTIC KLS-C 600X800X1800



Technical data: the stability of construction is provided by closed profiles, nets made of steel bars, bottom with wheels (2 fixed wheels, 2 swivel wheels with brakes), the wire base is reinforced with flat iron. Container has two front, adjustable doors (upper and bottom) which can be closed independently of each other creating the front wall of the container. Two wire shelves permanently attached to the container, the ability to raise them when not in use.

POSSIBLE CONFIGURATIONS:

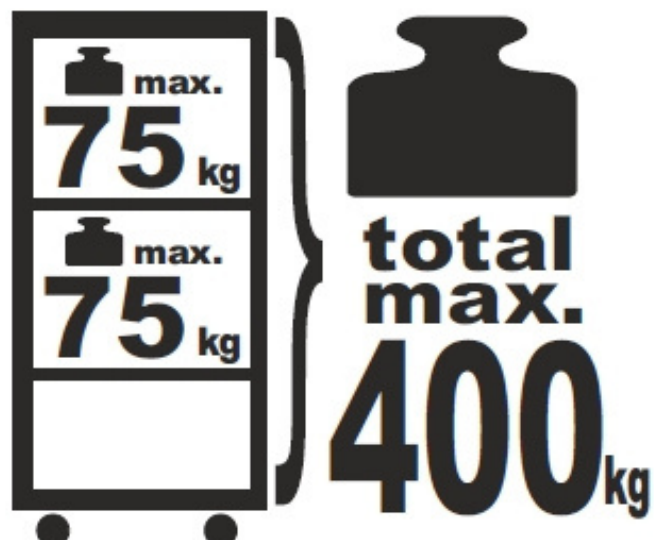
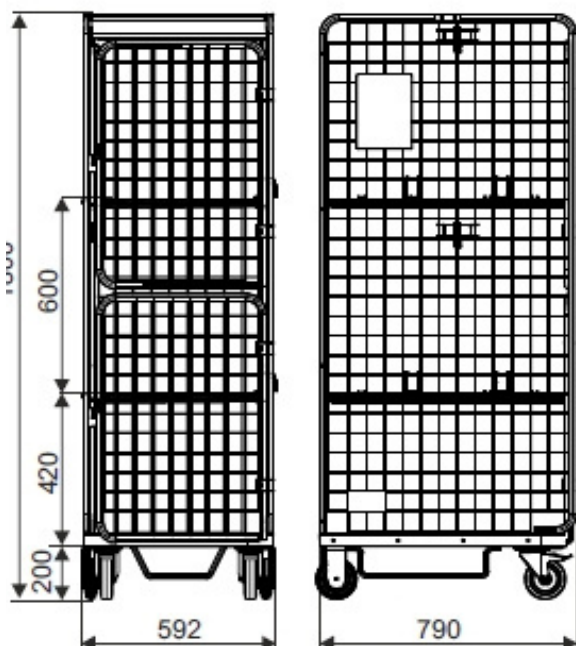


Finish: zinc plated + lacquer

Wheel: diameter 125 mm

Loading of shelf: 75 kg

Total loading: 400 kg



FOLDING CONTAINER FOR LOGISTIC

KLS-4 860x730x1900



Technical data: the stability of construction is provided by closed profiles, nets made of steel bars, bottom with wheels (2 fixed wheels, 2 swivel wheels with brakes), bottom shelf is reinforced with flat bars.

Folding shelves (lifted upwards). A wire lid at the top of the container and a handle with a padlock on the door allows you to protect the contents of the container against being taken by unauthorized persons.

Container has front door which can be closed creating the front wall of the container. The construction of container allows for its folding and nesting of folding containers.

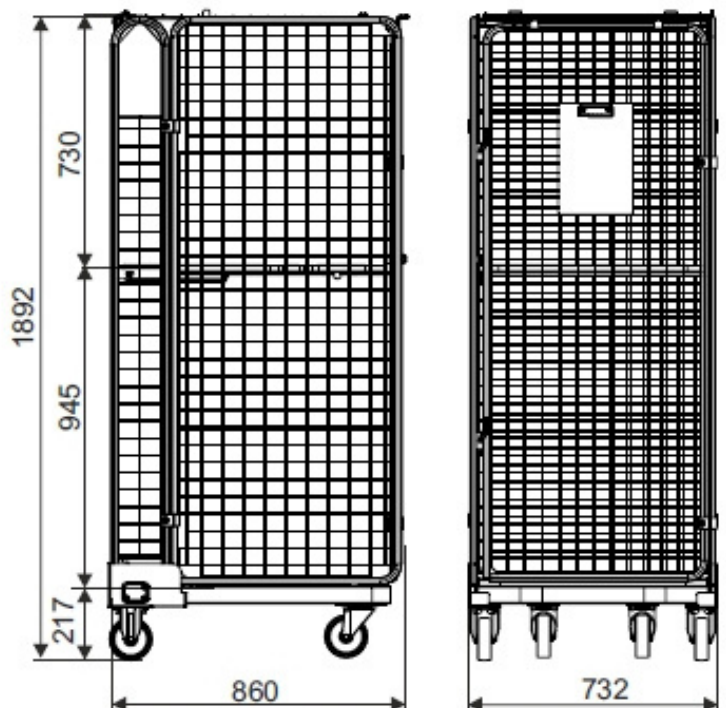
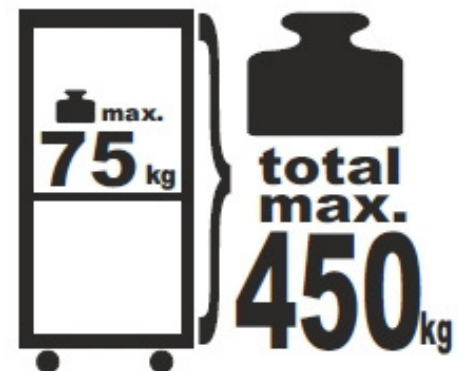
Finish: zinc plated + lacquer

Wheel: diameter 125 mm

Nesting distance: 230 mm

Loading of shelf: 75 kg

Total loading: 450 kg



CONTAINER 800X600 H1810 WITH BOTTOM FRAME „Z”

basic version of the rollcontainer

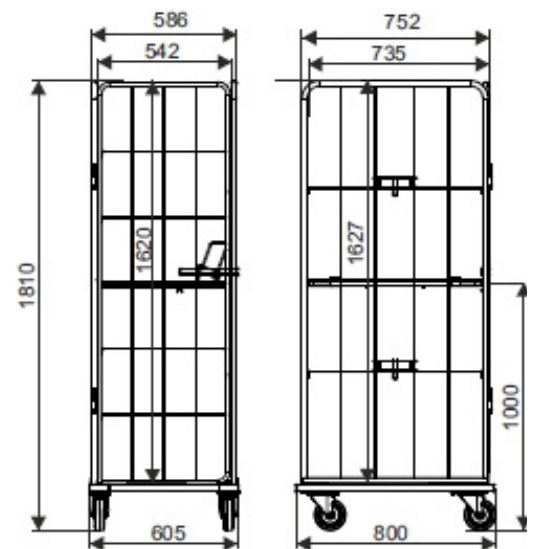


Technical data: structural stability is ensured by closed profiles, meshes made of steel bars, bottom with wheels (two fixed wheels, two swivel wheels), bottom shelf reinforced with flat bars. The construction enables container folding and nesting of folded containers.
Standard version has chassis on wheels, two side walls and one shelf.

Finish: zinc + lacquer
Wheels: diameter 125 mm
Nesting distance: 270 mm
Shelf capacity: 100 kg
Total capacity: 500 kg

Optional equipment:
- rear wall,
- textile belts.

*Nesting of folded containers
(top view):*



version with full optional equipment version with optional rear wall

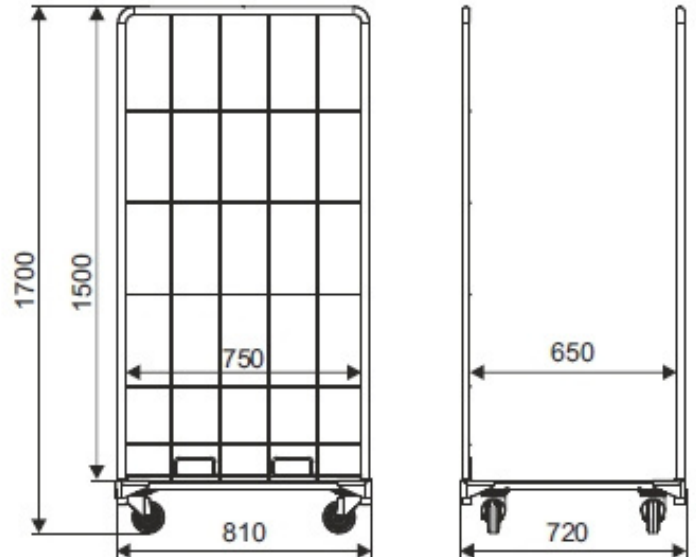


Nesting of folded containers



WAREHOUSE TROLLEY 810x720 H1700

page 1



Standard equipment

- chassis on wheels
- side walls H-1700

Total loading: 500 kg

Loading of the standard wire shelf: 70 kg

Loading of the reinforced wire shelf: 100 kg

Wheel: polyamide 100 mm

Standard finish: zinc plated + lacquer

Optional equipment

- side wall H-1700, with identification board,
- side wall Securite H-1700,
- closed wall H-1700,
- bottom closed wall H-700,
- top closed wall H-700,
- standard wire shelf,
- reinforced wire shelf,
- corner bumpers,
- textile or rubber belt.

POSSIBLE CONFIGURATIONS:

Container with side walls and belts

Container with securite side walls

Container with side walls, and closed wall H-1700

Container with side walls, and two closed walls H-1700

Container with side walls, and closed wall H-1700, with wire shelf

Container with side walls, closed wall H-1700, with top and bottom closed wall H-700



WAREHOUSE TROLLEY 810x720 H1700

page 2

Standard equipment:

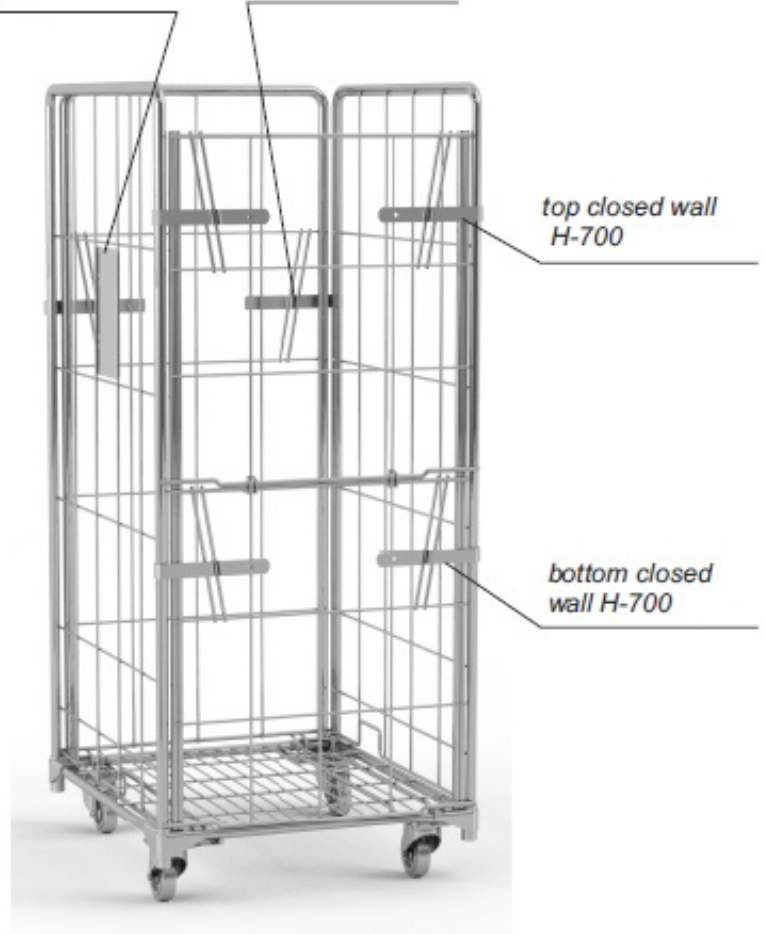
- chassis on wheels
- side walls H-1700



Optional equipment:

side wall H-1700,
with identification
board

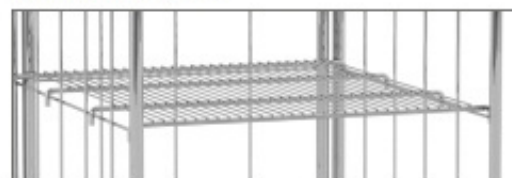
closed wall
H-1700



wheel types for container assembly:

Wheel type	4 swivel wheels	4 swivel wheels, 2 wheels with the brakes	2 swivels wheels, 2 fixed wheels	2 swivel wheels with brake, 2 fixed wheels
polypropylene Ø 100 mm	✓		✓	
polyamide Ø 100 mm	✓	✓		✓
polyamide Ø 125 mm	✓		✓	
Rubber Ø 125 mm	✓	✓	✓	✓
Sandwich Ø 125 mm			✓	✓

standard wire shelf



reinforced wire shelf



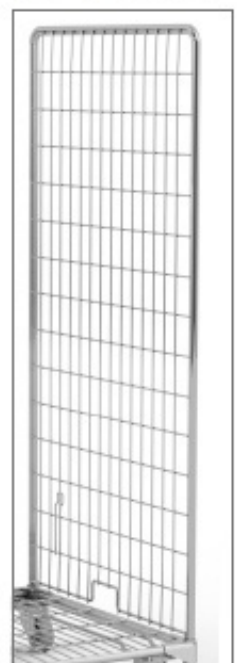
textile or rubber belt



corner bumpers

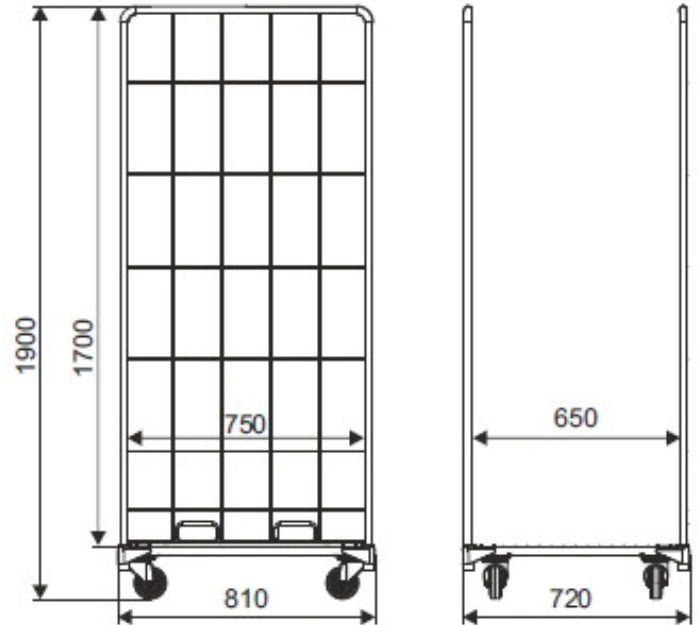
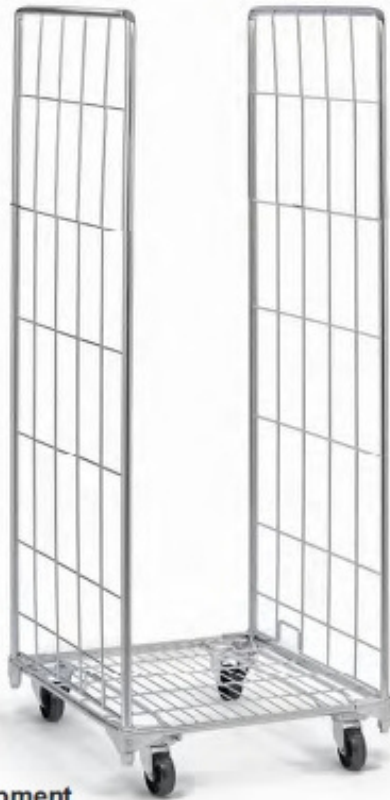


side wall Securite



WAREHOUSE TROLLEY 810x720 H1900

page 1



Standard equipment

- chassis on wheels
- side walls H-1900

Total loading: 500 kg

Loading of the standard wire shelf: 70 kg

Loading of the reinforced wire shelf: 100 kg

Wheel: polyamide 100 mm

Standard finish: zinc plated + lacquer

Optional equipment

- side wall H-1900, with identification board,
- side wall Securite H-1900,
- closed wall H-1900,
- bottom closed wall H-700,
- top closed wall H-700,
- standard wire shelf,
- reinforced wire shelf,
- corner bumpers,
- textile or rubber belt.

POSSIBLE CONFIGURATIONS:

Container with side walls and belts

Container with securite side walls

Container with side walls, and closed wall H-1900

Container with side walls, and two closed walls H-1900

Container with side walls, and closed wall H-1900, with wire shelf

Container with side walls, closed wall H-1900, with top and bottom closed wall H-700



WAREHOUSE TROLLEY 810x720 H1900

page 2

Standard equipment:

- chassis on wheels
- side walls H-1900

Optional equipment:

side wall H-1900,
with identification
board

closed wall
H-1900

top closed wall
H-700

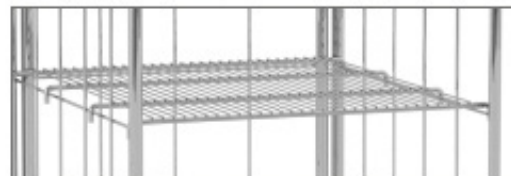
bottom closed wall
H-700



wheel types for container assembly:

Wheel type	4 swivel wheels	4 swivel wheels, 2 wheels with the brakes	2 swivel wheels, 2 fixed wheels	2 swivel wheels with brake, 2 fixed wheels
polypropylene Ø 100 mm	✓		✓	
polyamide Ø 100 mm	✓	✓		✓
polyamide Ø 125 mm	✓		✓	
Rubber Ø 125 mm	✓	✓	✓	✓
Sandwich Ø 125 mm			✓	✓

standard wire shelf



reinforced wire shelf



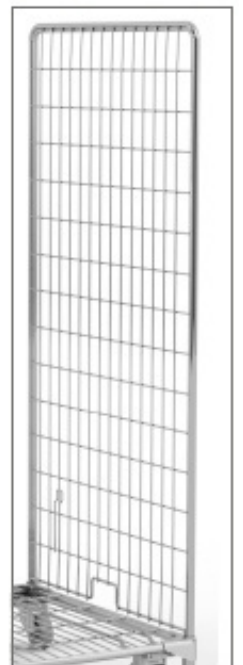
textile or
rubber belt



corner bumpers



side wall Securite



CONTAINER FOR CARTONS 600x1000 H1200



Unused containers can be folded at its mid-height and stacked one onto another:

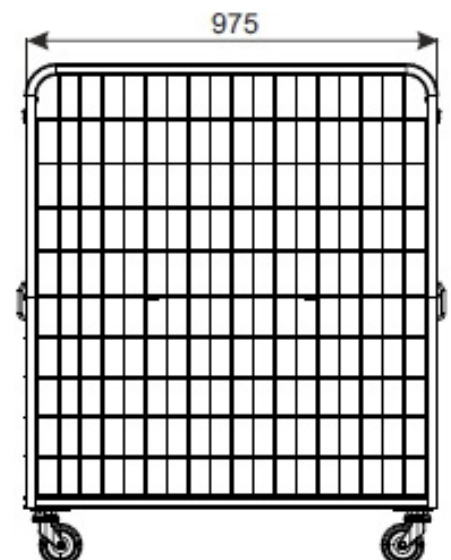
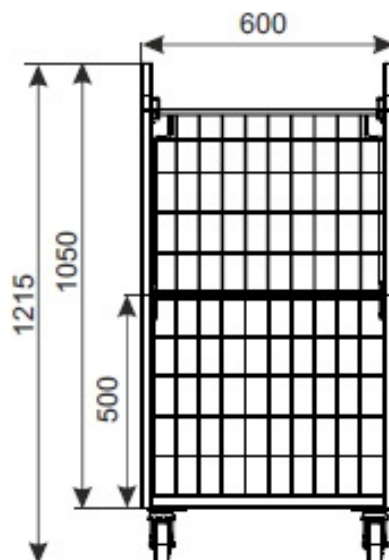


Hinged hatches in the container:



Technical data:

The container made of wire and sections, the bottom is reinforced with flat iron, 2 hinged hatches, swivel wheels 125 mm – 4 pcs.
Standard finish: zinc plated + lacquer.
Loading: 200 kg



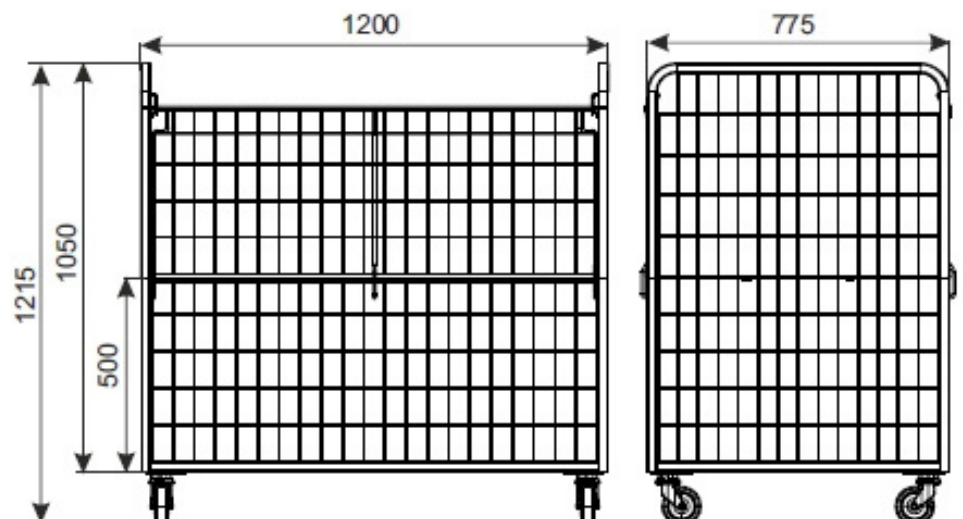
CONTAINER FOR CARTONS 800x1200 H1200



Hinged hatches in the container:



Unused containers can be folded at its mid-height and stacked one onto another:

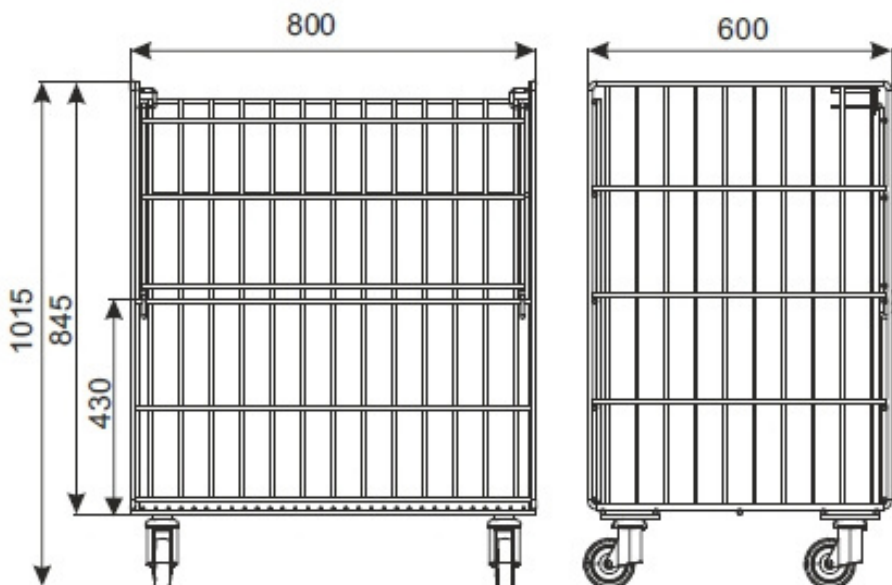


Technical data:

The container made of wire and sections, the bottom is reinforced with flat iron, 2 hinged hatches, swivel wheels \varnothing 125 mm – 4 pcs.
Standard finish: zinc plated + lacquer.

Loading: 200 kg

CONTAINER KK-1015X800X600



Technical data:
 container made of wire, hinged hatch,
 swivel wheels Ø125 mm - 4 pieces.
Standard finish: zinc plated + lacquer.
Loading: 200 kg

CONTAINER WITH 3 SHELVES 1100x600 H-1600



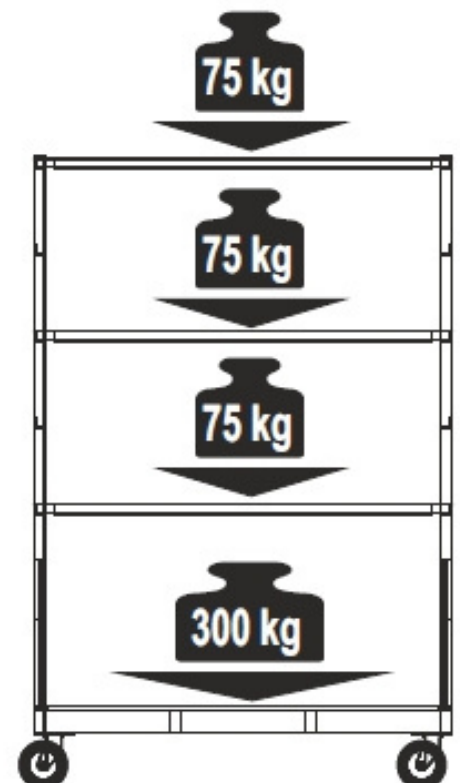
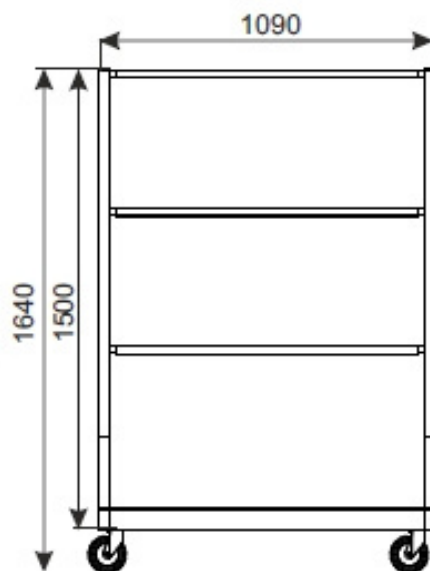
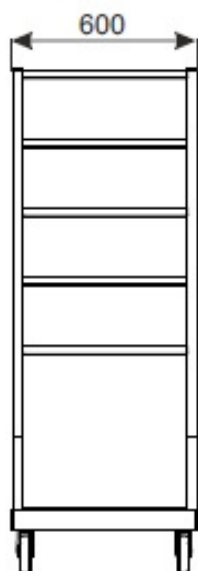
Finish: galvanic zinc + lacquer

Technical data: chassis of closed profiles (rectangular), shelves of sheet metal, reinforced from bottom. Wheels allow to movement of container. A possibility of regulation the shelves (at different heights).

Metal shelves lined with 3mm thick grooved rubber.

Loading:

- loading of shelf - 75 kg
- loading of base - 300 kg
- total loading - 525 kg



CONTAINER WITH 3 SHELVES 1100x750 H-1600



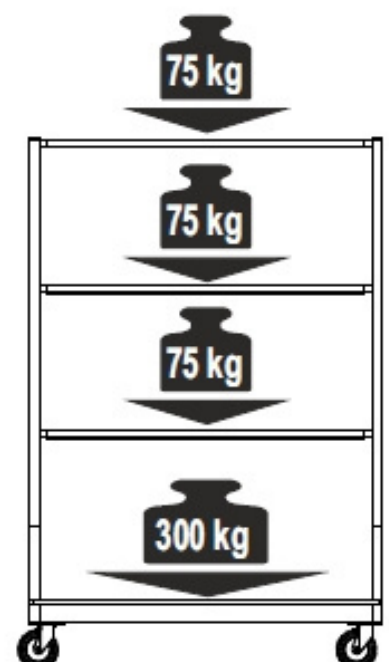
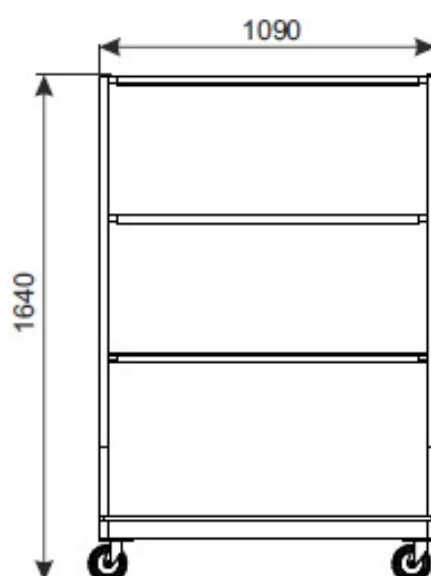
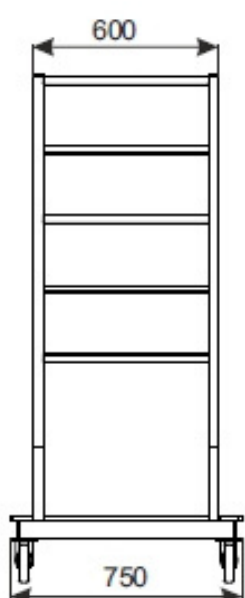
Finish: galvanic zinc + lacquer

Technical data: chassis of closed profiles (rectangular), shelves of sheet metal, reinforced from bottom. Wheels allow to movement of container. A possibility of regulation the shelves (at different heights).

Metal shelves lined with 3mm thick grooved rubber.

Loading:

- loading of shelf - 75 kg
- loading of base - 300 kg
- total loading - 525 kg



WAREHOUSE TROLLEY



Goods can be distributed on two levels; upper shelf can be foldable when it's not used.

Loading:

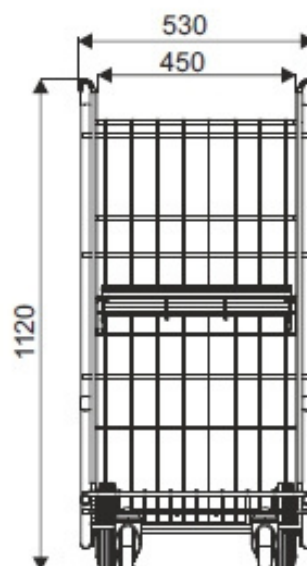
total loading of trolley – 150 kg,
loading of upper shelf – 50 kg

Wheel:

Fixed, back wheels Ø200 mm and swivel front Ø100 mm
allow optimal manoeuvrability.

Coating:

zinc galvanized + lacquer.



WAREHOUSE TROLLEY WITH BASKET 800x600 H600 ON WHEELS



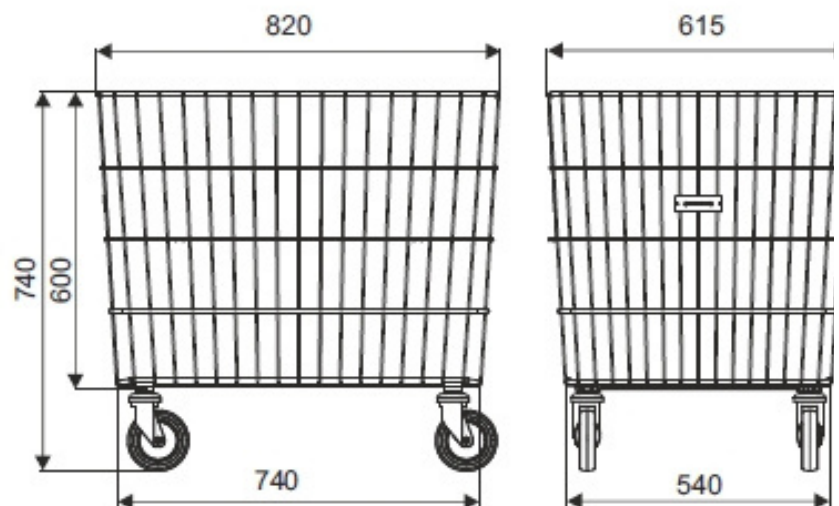
Trolley with a basket has been designed to facilitate the transport of products in warehouses etc.

Weight capacity up to 200kg. Swivel wheels \varnothing 125mm ensure optimal manoeuvrability.

Loading: 200 kg

Wheel diameter: 125 mm

Coating: zinc galvanized + lacquer.



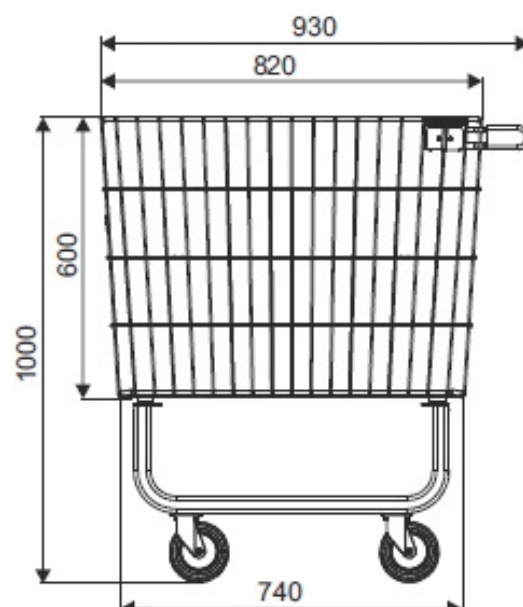
WAREHOUSE TROLLEY WITH BASKET 800x600 H600 WITH FRAME ON WHEELS



The basket of the trolley has been designed for easy loading/unloading. It's raised bottom allows the user to bend less and provide better access to the basket.

Trolley holds up to 200kg. Plastic cover of handle and swivel wheels \varnothing 125 mm ensure easy handling and optimal manoeuvrability. Optional clipboard A4.

Loading: 200 kg
Wheel diameter: 125 mm
Coating: zinc galvanized + lacquer.



STEEL MOBILE PALLET 600X400 MM



a perfect solution for carrying heavy goods such boxes, bins furniture etc.

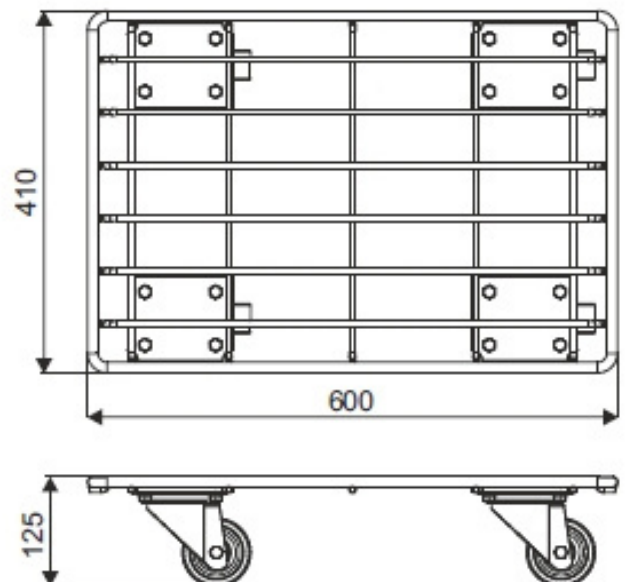
ding: 200 kg.

eel diameter:

vel rubber wheels Ø 80 ensure optimal manoeuvrability.

ion: wheels Ø100mm.

ring: zinc galvanized + lacquer.



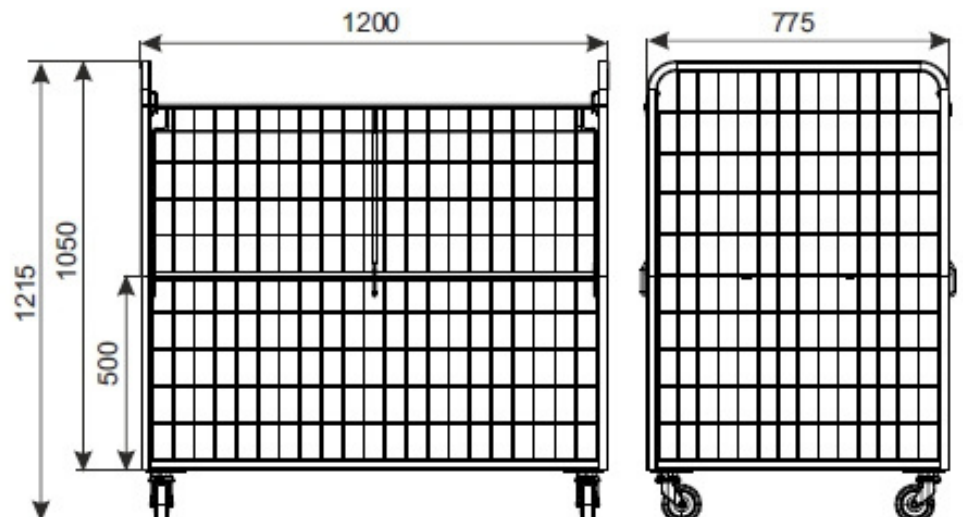
CONTAINER FOR CARTONS 800x1200 H1200



Hinged hatches in the container:



Unused containers can be folded at its mid-height and stacked one onto another:



Technical data:

The container made of wire and sections, the bottom is reinforced with flat iron, 2 hinged hatches, swivel wheels \varnothing 125 mm – 4 pcs.
Standard finish: zinc plated + lacquer.

Loading: 200 kg